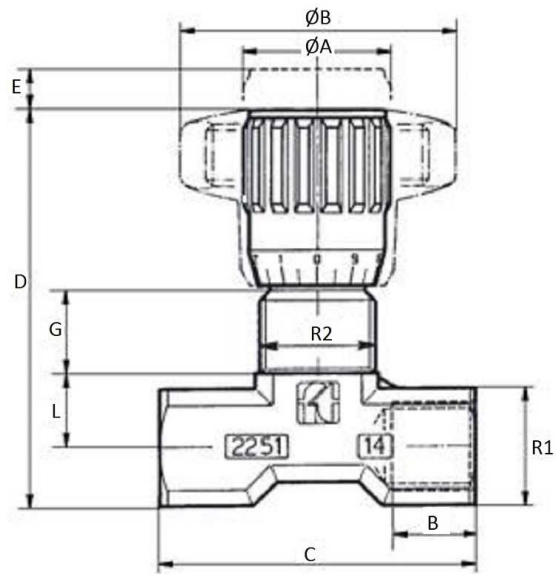


**Bidirectional flow restrictor valve**



**OR** Nitrile

**Antiextrusion ring PTFE**

**Ball Guide:** steel forging

**Working temperature:** -20°C/100°C

**Body:** OT 58 - UNI 5705. Nickel plated

Part n°	R1	R2	Max. flow (l/min)	Max. Press. (bar)	Filtration degree	$\varnothing A$	$\varnothing B$	B	C	D	E	G	L
<b>FT251B04</b>	1/4" BSP	M17x1	12	350	25	$\varnothing 22$	$\varnothing 40$	12	46	57	4,5	11,5	11,5
<b>FT251B06</b>	3/8" BSP	M20x1	30	350	25	$\varnothing 27$	$\varnothing 50$	13	55	69	7	12,5	15
<b>FT251B08</b>	1/2" BSP	M25x1,5	45	350	25	$\varnothing 33$	$\varnothing 70$	16	70	82	10	13	19
<b>FT251B12</b>	3/4" BSP	M30x1,5	85	350	25	$\varnothing 38$	$\varnothing 80$	20	91	100	12	15	22
<b>FT251B16</b>	1" BSP	M40x1,5	125	350	25	$\varnothing 47$	-	20	143	122,2	12	-	-