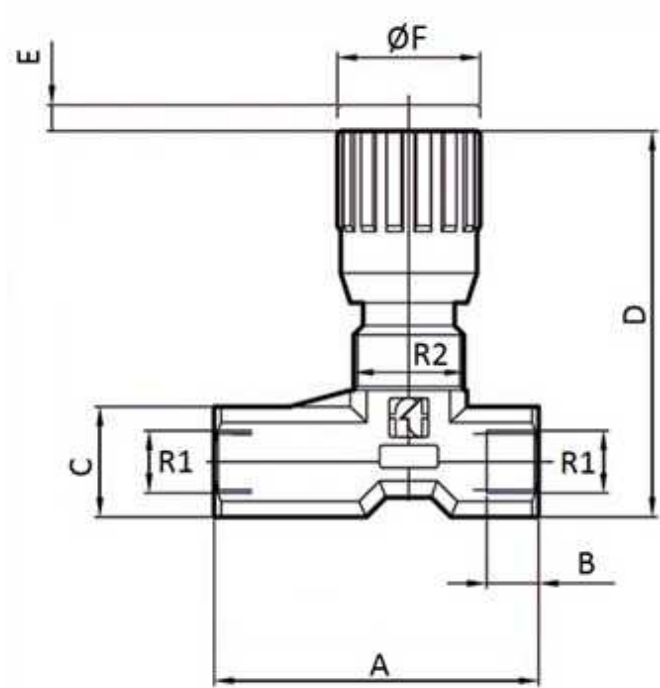


Unidirectional flow restrictor valve



Body: OT 58 - UNI 5705. Nickel plated

Antiextrusion Ring PTFE

Ball Guide Nylon 66 + Carbon Fiber

Working temperature: -20°C/100°C

OR: Nitrile

Part n°	R1	R2	Max. flow (l/min)	Max. Press. (bar)	Filtration degree	ØF	A	B	C	D	E
FT251U04	1/4" BSP	M17x1	12	350	25	22	56	12	17	61	4,5
FT251U06	3/8" BSP	M20x1	30	350	25	27	64,5	13	22	74	7
FT251U08	1/2" BSP	M25x1,5	45	350	25	33	87	16	27	85,5	10
FT251U12	3/4" BSP	M30x1,5	85	350	25	38	115	20	34	105	12
FT251U16	1" BSP	M40x1,5	125	350	25	47	143	20	45	122,5	12