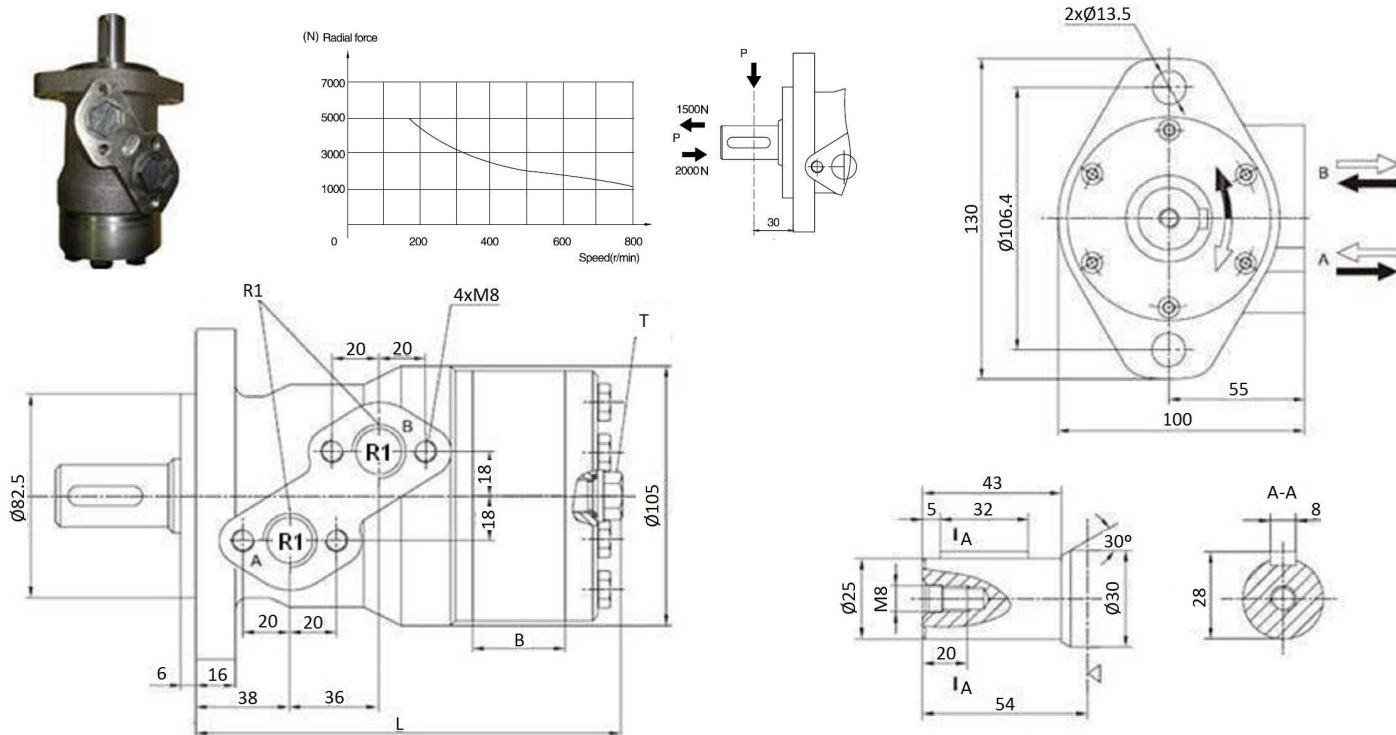


MOMR type motor 25 mm Ø



Shaft: cylindrical shaft, diameter 25 mm

Max. flow intern.: MOMR50 =50 (l/min); Others=75 (l/min)

T: drainage line, thread 1/4"

(Power in kW)

(Torque N.m)

Part n°	R1	Max. flow (l/min)	Max. press. cont.	Max. press. interm.	Max. Peak press.	cm ³ / rev	R.P.M. cont.	R.P.M. int.	Max. torque cont.	Max. torque peak	Max. power cont.	Max. flow cont.	B	L
MOMR40	1/2" BSP	45	100	175	210	40	770	1.000	50	100	6,9	40	9	139
MOMR50	1/2" BSP	50	140	175	200	50	770	970	93	135	7	40	9	139
MOMR80	1/2" BSP	75	140	175	200	80	745	940	152	216	10	60	14	144
MOMR100	1/2" BSP	75	140	175	200	100	600	750	194	270	10	60	17,5	148
MOMR125	1/2" BSP	75	140	175	200	125	470	600	237	338	10	60	22	152
MOMR160	1/2" BSP	75	140	175	200	160	370	470	310	433	10	60	28	158
MOMR200	1/2" BSP	75	140	175	200	200	300	370	369	509	8	60	35	165
MOMR250	1/2" BSP	75	110	140	160	250	240	300	380	540	6	60	44	174
MOMR315	1/2" BSP	75	90	110	130	315	190	240	380	540	5	60	56	186
MOMR400	1/2" BSP	75	70	90	110	400	150	190	380	540	4	60	70	200

*** Review attached PDF***

*Intermittent operation rating applies to 6 seconds of every minute.

*Peak load rating applies to 0.6 seconds of every minute.