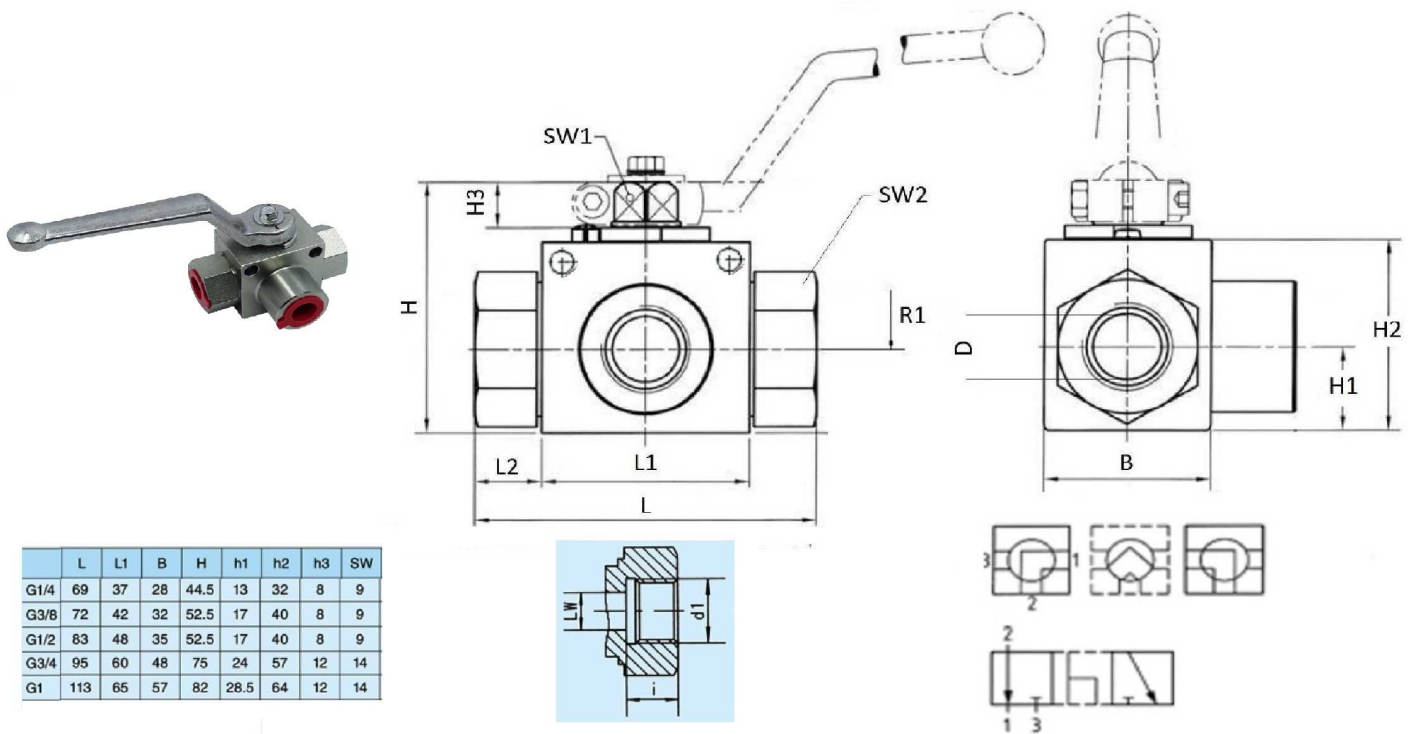


3 ways

3 Ways ball valve female-female-female (L type)

Mild Steel

1/1



With fixing holes

Standard o-ring: NBR

Ball seat: POM (polyoxymethylene)

Working temp: -20°C / +100°C

Lever included (angular)

Part n°	DN	R1	Working Pressure (bar)	WAYS
GB3VH 1/4	6	1/4" BSP	500	H-H-H
GB3VH 3/8	10	3/8" BSP	500	H-H-H
GB3VH 1/2	13	1/2" BSP	500	H-H-H
GB3VH 3/4	20	3/4" BSP	500	H-H-H
GB3VH 1	25	1" BSP	500	H-H-H

*** Review attached PDF***