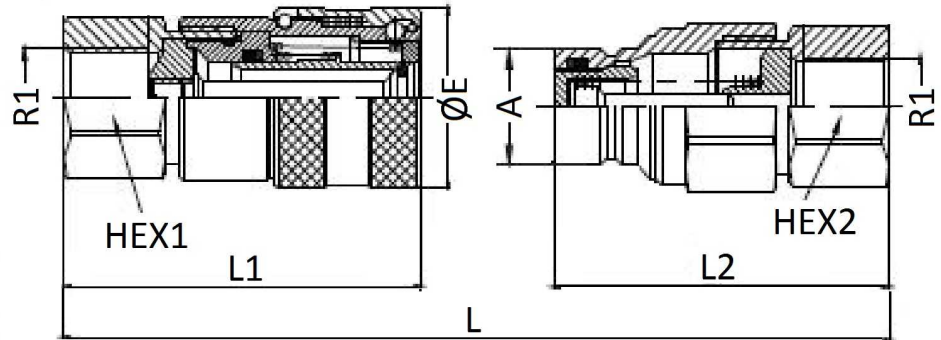


Ecological flat face coupling BSP ISO 16028

Mild Steel

1/1

**Material:** Steel**Seals:** NBR**Working temperature:** -20°C / +100°C

Part n°	R1	Working Pressure (bar)	ISO size	BG size	Coupling	Water flow (l/min)	L	L1	L2	HEX 1	HEX 2	ØE	A
B900104	1/4" BSP	300	6	1	M	12	96,2		49,2		20		16,1
B900106	3/8" BSP	250	10	2	M	23	108,4		55,8		24		19,7
B90010608	1/2" BSP	250	10	2	M	23					32		19,7
B900108	1/2" BSP	250	12	3	M	45	129,3		72		32		24,5
B900112	3/4" BSP	250	16	4A	M	75	138		75,5		36		27
B900116	1" BSP	250	19	4	M	100	172,1		93,8		41		30
B900204	1/4" BSP	300	6	1	F	12	96,2	58,2		20		28	
B900206	3/8" BSP	250	10	2	F	23	108,4	68,2		24		32	
B90020608	1/2" BSP	250	10	2	F	23				32		32	
B900208	1/2" BSP	250	12	3	F	45	129,3	75		32		38	
B900212	3/4" BSP	250	16	4A	F	75	138	80		36		42	
B900216	1" BSP	250	19	4	F	100	172,1	99,8		41		48	

*** Review attached PDF***